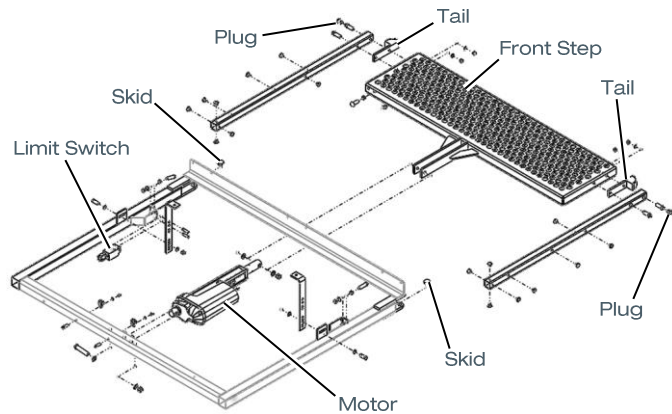


## Electric Step

### From 10.2017, S/N > 2000: Spare Parts Overview



Bezeichnung	Art.-Nr.	Bezeichnung	Art.-Nr.
Motor	10022782	Buzzer	10023109
Limit Switch	10022401	Skid	10013461
LED Indicator Light	10022776	Tail (yellow)	10013459
Rocker Switch	10019614	Plug	300100153
Door Contact Switch	H20066	Front Step	Depending on type

### Faults

If problems or faults occur on the access ramp, refer to the Chapter "Faults and Troubleshooting" in the full Operating Instructions.

Contact our Customer Service Department if a fault can not be rectified using the information given there.

### Customer Service

The AMF-Bruns customer service department will be more than pleased to assist in questions regarding the ordering of spare parts, fault rectification, maintenance and repair work:

Address: AMF-Bruns GmbH & Co. KG  
Hauptstraße 101  
26689 Apen

Telephone: +49 (0) 44 89 / 72 72 22

Telefax: +49 (0) 44 89 / 62 45

E-Mail: service.hubmatik@amf-bruns.de

Internet: www.amf-bruns.de

These brief operating instructions do not in any way replace the full Operating Instructions! Please read the full Operating Instructions thoroughly before using the product for the first time!

Subject to technical modifications.



**AMF-Bruns GmbH & Co. KG**  
Hauptstraße | 26689 Apen | Germany  
Telefon +49 (0) 4489 / 72 72 22  
Telefax +49 (0) 4489 / 62 45  
service.hubmatik@amf-bruns.de  
www.amf-bruns.de

Brief Operating Instructions

## AMF-BRUNS ELECTRIC STEP



**BRIEF OPERATING INSTRUCTIONS**  
Read thoroughly before use, keep readily available in the vehicle!

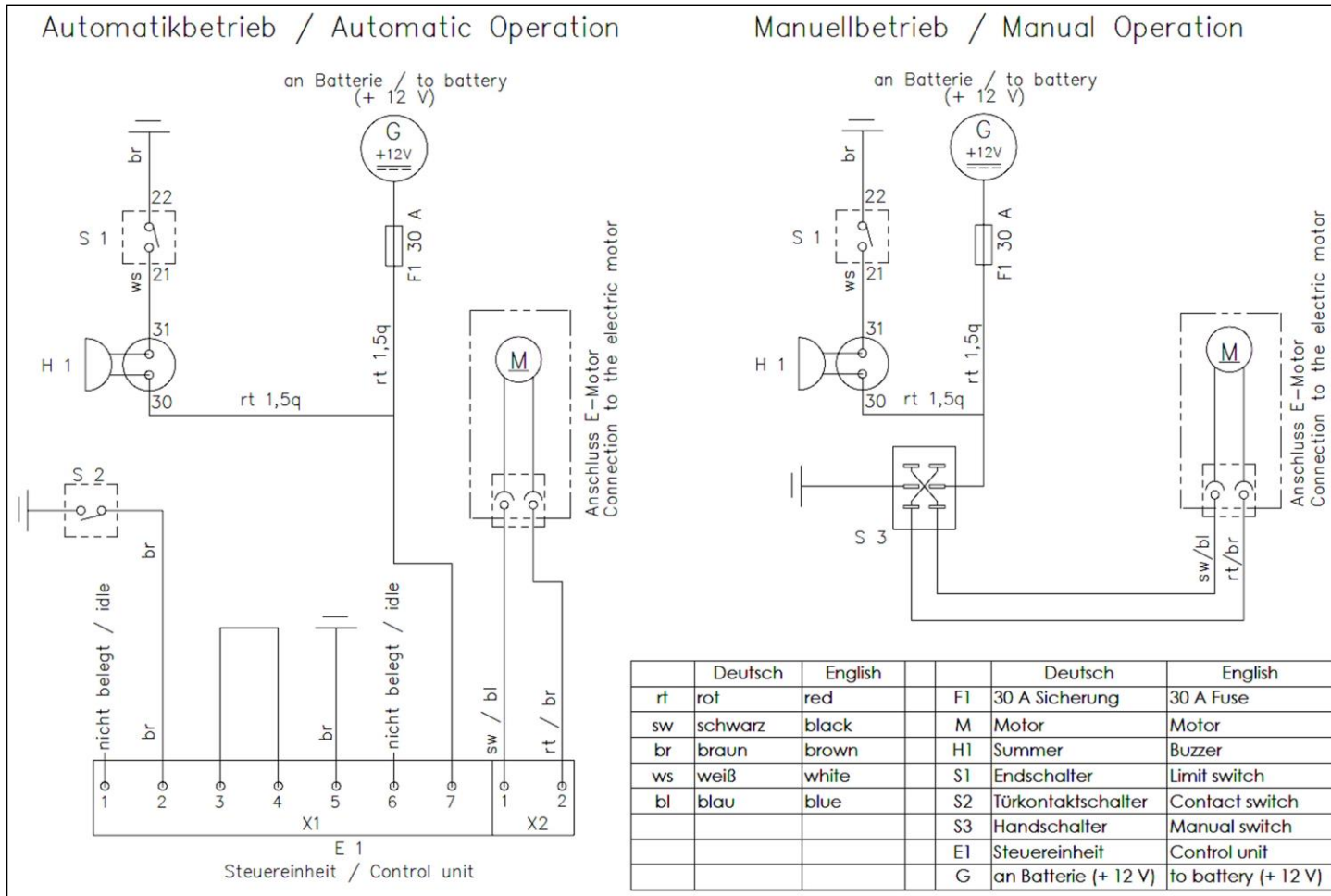


www.amf-bruns.de

Art.-No.: 10019739 | 09/2020



Electrical Circuit Diagram



Important Installation Instructions

- ⇒ Carry out the assembly with the battery negative terminal disconnected.
- ⇒ Finish all wiring before connecting the power supply cable to the positive pole of the vehicle battery.
- ⇒ Fit the rocker switch in the B column. The switch mustn't be reached when side loading door is closed.
- ⇒ Fit the rocker switch without forcing it into the cut out. The switch mustn't be jammed whilst in operation. If the switch doesn't rebound on release it might cause irreparable motor damage.

Technical Data

Load bearing capacity	Max. 150 kg
Extend time	4 seconds
Retract time	4 seconds
Operation	Via rocker switch or automatic
Safety device	Buzzer

Extending the Step (Manual Operation)

- ⇒ Open side loading door completely.
  - ⇒ Press and hold the rocker switch in the B-column.
- An acoustic signal will sound. The step extends.
- ⇒ Wait until the step has fully extended.
  - ⇒ Release the rocker switch.

Retracting the Step (Manual Operation)

- ⇒ Press and hold the rocker switch in the B-column.
- The step retracts.
- ⇒ Wait until the step has fully retracted.
- The acoustic signal stops. The step has retracted.
- ⇒ Release the rocker switch.

Extending the Step (Automatic Operation)

- ⇒ Open side loading door completely.
- An acoustic signal will sound. The step extends.

Retracting the Step (Automatic Operation)

- ⇒ Close the side loading door.
- The step retracts. The acoustic signal stops once the step has fully retracted.

**⚠ Caution! Risk of injury due to movements of the step. No one is allowed to be on or in front of the step during extending or retracting process.**

Care Instructions

Depending on the degree of staining, the electric step has to be cleaned at three-month intervals as follows:

- ⇒ Remove the screw at the front end of the motor using spanner SW 17.
- ⇒ Pull out the front step manually (see figure "Spare parts overview" on the opposite side).
- ⇒ Clean the inner guide tubes.
- ⇒ Reassemble the step.
- ⇒ Clean the piston rod with a lint-free cloth. Spray the rod with a silicone spray.

**⚠ Attention! Stainless steel, do not grease the components.**