



Lift systems

# AMF-BRUNS LINEAR LIFT ‚AL1 PANORAMA‘

reddot design award  
winner 2013

Fully automatic lift for rear and side entry



[www.amf-bruns.com](http://www.amf-bruns.com)

# AMF-BRUNS LINEAR LIFT ‚AL1 PANORAMA‘

Fully automatic lift for rear and side entry



Worldwide unique design due to the specially manufactured aluminium profile lifting arms.



Design meets lightweight! Newly developed aluminium arms make the AL1 the lightest lift on the market.



The Panorama platform enables the installation of a large lift in vehicles with a low interior height.

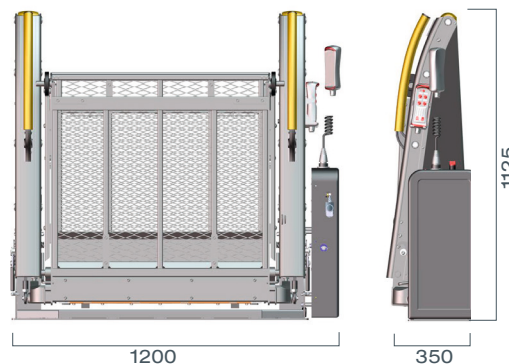
## SPECIFICATION

- » Patented and specially developed aluminium arms make the AL1 the lightest lift on the market
- » Unique design
- » Applicable for rear and side entry
- » Suitable for vehicles with low roof height
- » Choice of 2 standard platforms
- » LED flashing lights
- » See-through platform design ensures excellent rear view
- » Roll-off stop opens automatically when touching ground even on uneven surfaces
- » Bridge plate serves as automatic roll-off stop at the same time (patented)
- » Crash security bolts for more passive security
- » Powder coated surface, KTL coated for additional protection against corrosion
- » EMC tested according to EU regulations
- » Complies with EN 1756-2 and DIN 75078-1

## TECHNICAL DATA

- » Lifting height 900 mm
- » Load capacity 400 kg
- » Operation One-hand operation, 4 push buttons (up/down, stow/deploy)
- » Unladen weight 135 - 140 kg, depending on platform size
- » Features Manual pump, 2 handrails, automatic flashing lights
- » Power unit Electro-hydraulic 12 V
- » Optional Bluetooth remote control and app operation (iOS, Android)

Type AL1 Panorama 1200



TYPE	AL1 1200	AL1 1400
Width	1,200 mm	1,200 mm
Depth	350 mm	350 mm
Height	1,125 mm	1,125 mm
Usable platform size		
Width	755 mm	755 mm
Length	1,200 mm	1,400 mm



AMF-Bruns GmbH & Co. KG | Hauptstraße 101 | 26689 Apen | Germany  
 Phone +49 (0) 44 89 / 72 72 50 | Fax +49 (0) 44 89 / 62 45  
 hubmatik@amf-bruns.de

[www.amf-bruns.com](http://www.amf-bruns.com)



DIN EN ISO 9001  
 REG.-NR. 01 0105027